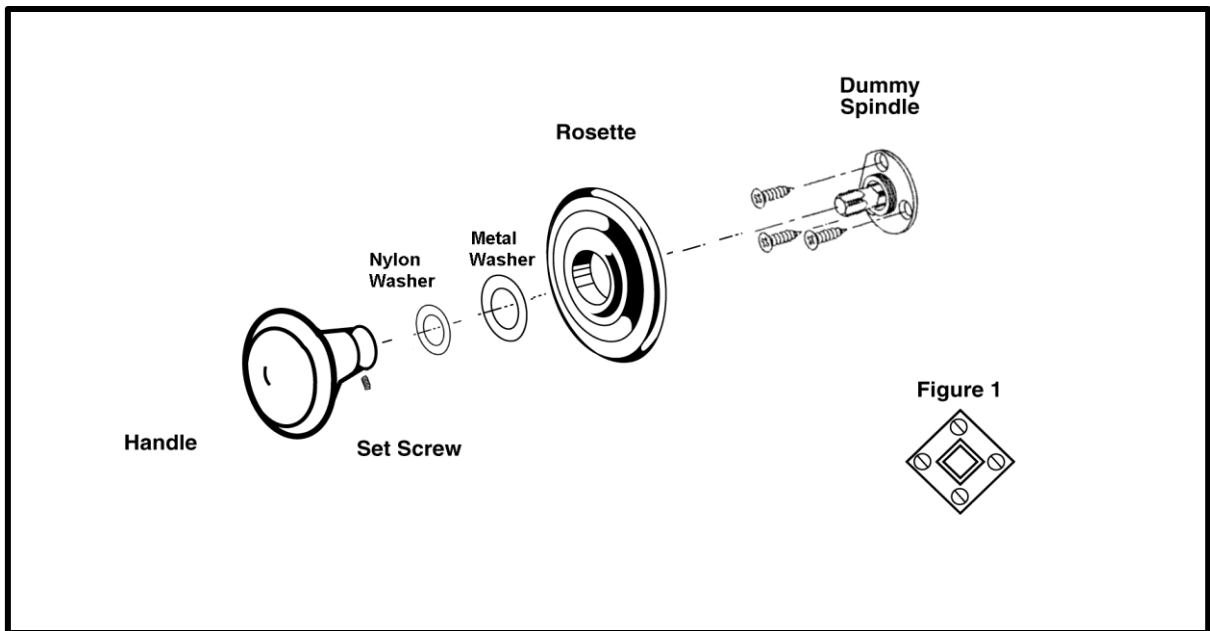


SINGLE DUMMY INSTALLATION INSTRUCTIONS CONCEALED MOUNT



1. Mark the desired horizontal line (suggested height 38" from the floor). Then mark the desired vertical line (suggested 2-3/8" — 2-3/4" backset). If using on bi-fold doors we recommend you place the knob in the center of the door.
2. Next the dummy spindle must be countersunk into the door. Countersink a 5/8" diameter hole approximately 1/8" deep for the dummy spindle to seat into the door.
3. Using the dummy spindle in the diamond position (see figure 1) mark screw holes on door then attach the dummy spindle with screws provided.
4. Thread rosette onto the dummy spindle until tight. Next place metal washers over the spindle, nylon washer over the knob shank. If your handle is threaded, turn the handle onto the spindle until it is tight and properly aligned. Tighten set screws as required. For non-threaded handles simply place onto spindle, align and tighten set screws.

Note: be sure set screws are inserted on a 45° angle as shown. This will ensure proper seating of the set screws against the spindle.