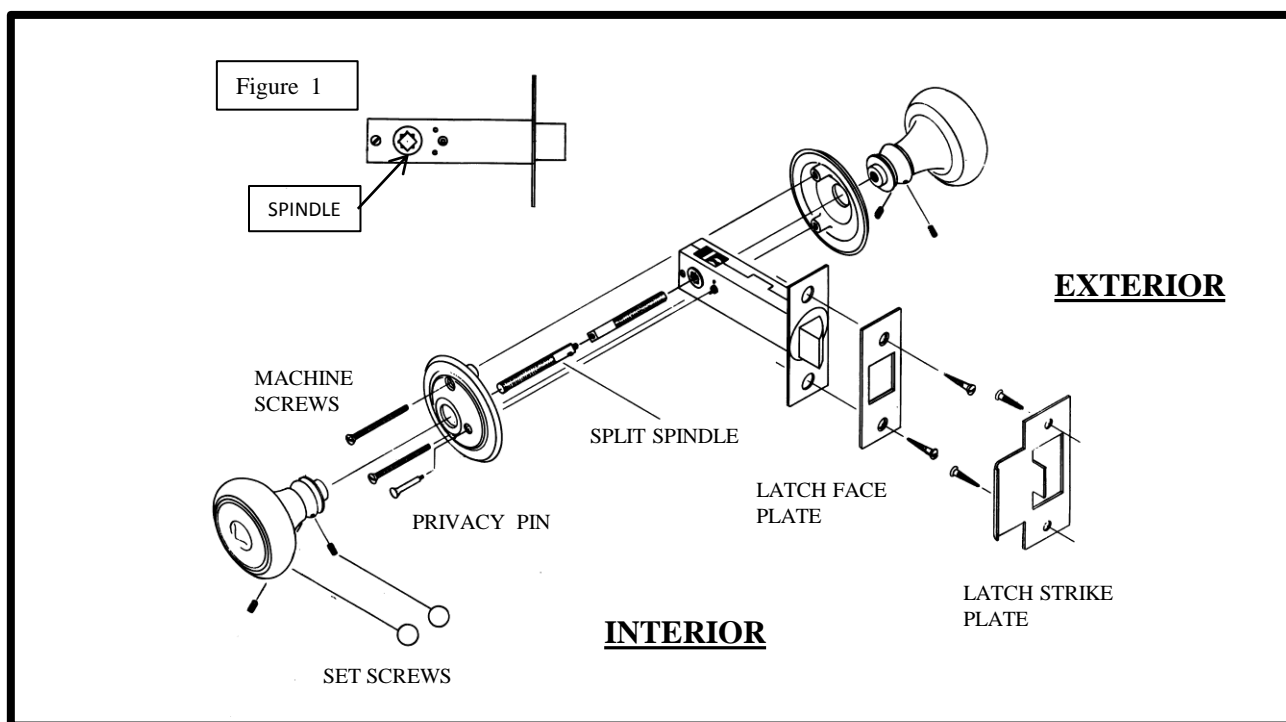


HARDWARE INSTALLATION

Face Bore: 2 or 2-1/8" Edge Bore: 1"

Backset: 2-3/8" — 2-3/4" — 2"

Privacy Set—Self Aligning Knob or Lever



Take split spindle and hand tighten; then unscrew one full turn from other half of spindle. Insert spindle into latch on diamond (see figure 1) until the notch on the spindle meets the hole on interior side. Mount self aligning roses loosely onto the door with machine screws supplied. Attach handles onto the spindle and tighten into the roses.

Tighten the machine screws on self aligning roses in place. Rose screws should be at 6 & 12 o'clock position. Be sure privacy button hole and safety hole are opposite each other. Insert privacy button in hole provided on the rose (before attaching roses tightly).

Tighten set screws on one handle on flat surface of spindle. Retract (loosen) other handle until latch mechanism works freely in both directions; then tighten set screw on second handle

FINAL CHECK

Before closing door, turn interior handle. Repeat and engage privacy button and turn the handle in both directions. This will disengage privacy button and allow passage through the door.

Engage privacy button and turn the exterior handle in both directions. This WILL NOT disengage button. While privacy button is still engaged, push in on the latch tongue; the privacy button will disengage. Close door and retest.

NOTE: Be sure set screws on handle are inserted at a 45 degree angle. This will ensure proper seating of set screws on the spindle.