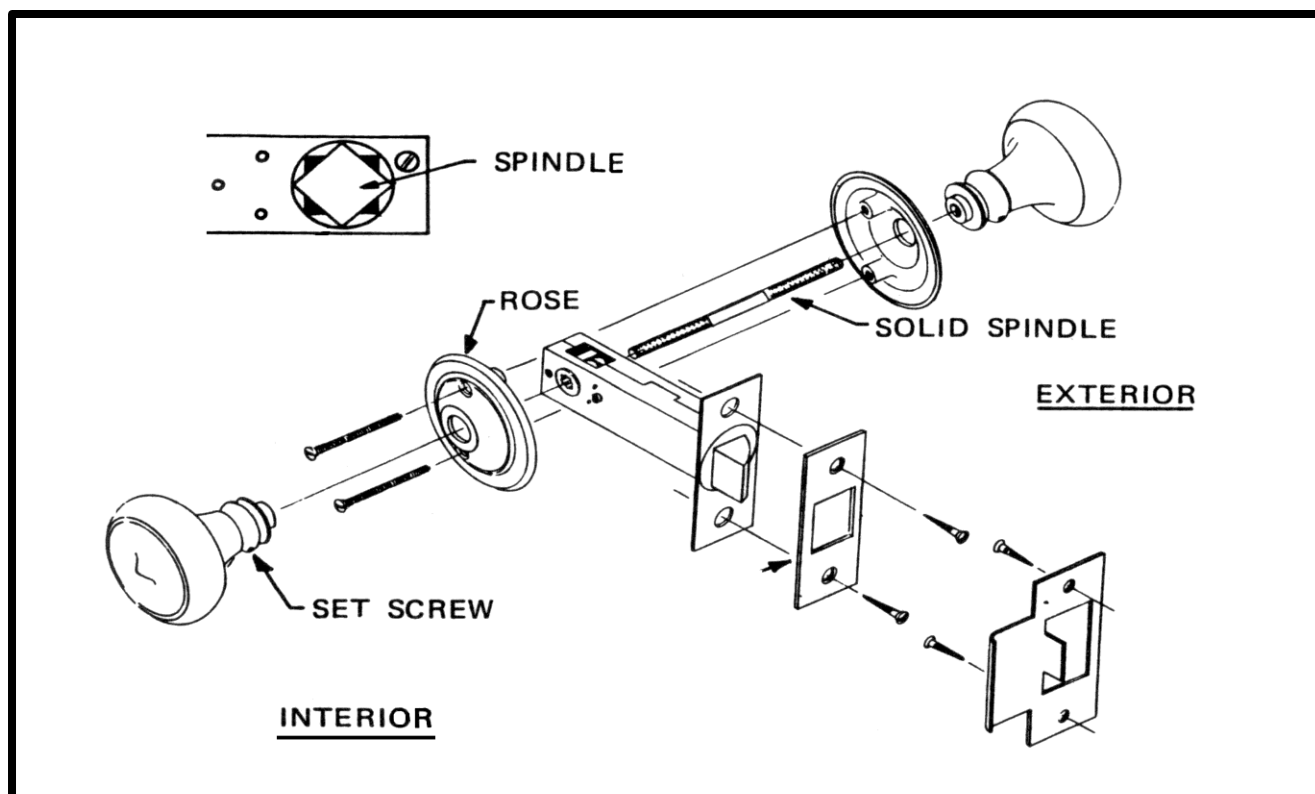


## HARDWARE INSTALLATION

Face Bore: 2 or 2-1/8"    Edge Bore: 1"

Backset: 2-3/8" — 2-3/4" — 2"

### **Passage Set—Self Aligning Knob or Lever**



1. Insert solid spindle in latch on the diamond (see figure 1) so that the spindle ends extend equally on both sides of the door. Mount self-aligning roses loosely onto the door with the machine screws supplied.

2. Attach handles on the spindle and tighten into the roses. Tighten the machine screws on self-aligning roses in place. Rose screws should be at 6 & 12 o'clock position. Tighten set screws to one handle on flat surface of spindle. Retract (loosen) other handle until latch mechanism works freely in both directions; then tighten set screws on second handle.

NOTE: Be sure set screws on handle are inserted at a 45 degree angle. This will ensure proper seating of set screws on the spindle.

\*\*Before closing your door, turn the handle in both directions to ensure proper movement. Close the door and repeat.